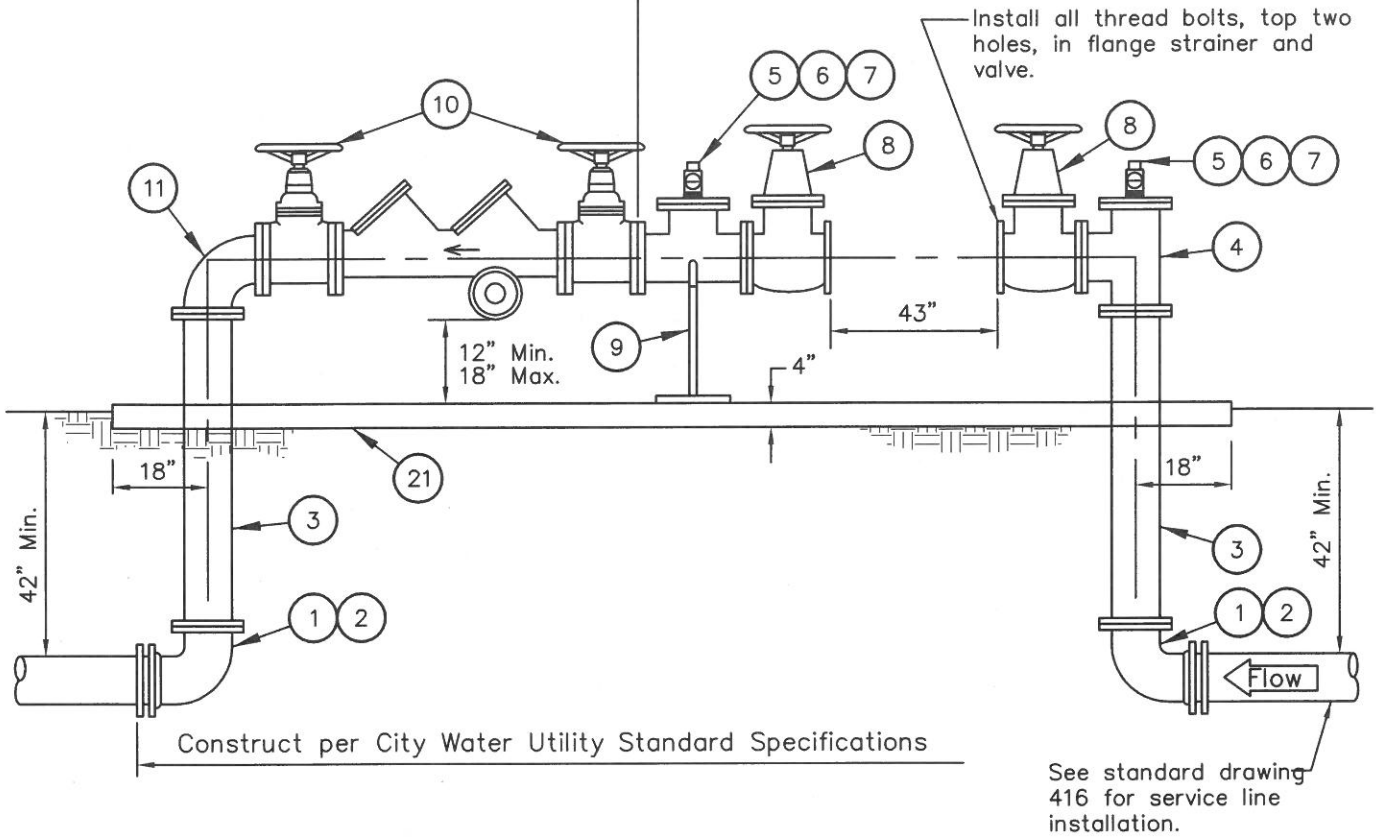
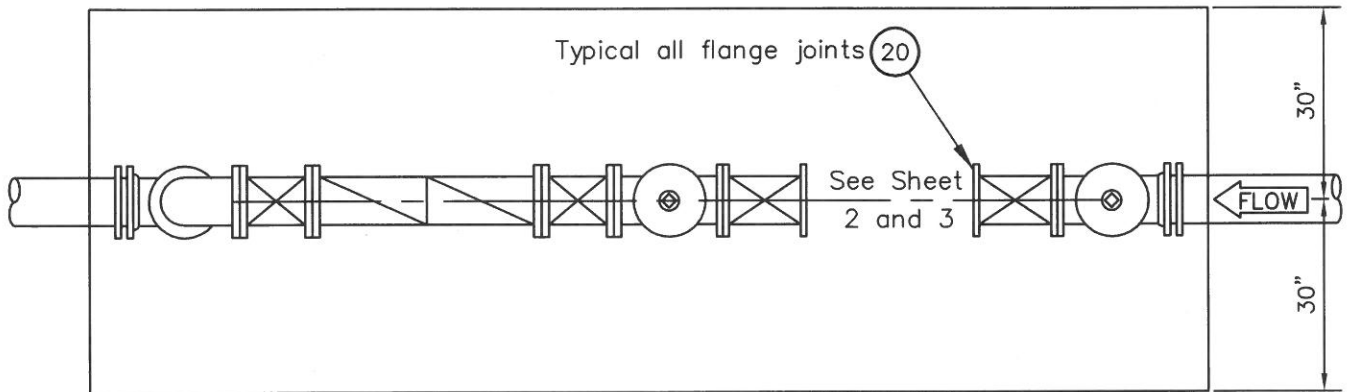


Begin private system responsibility End of City of Norco system responsibility

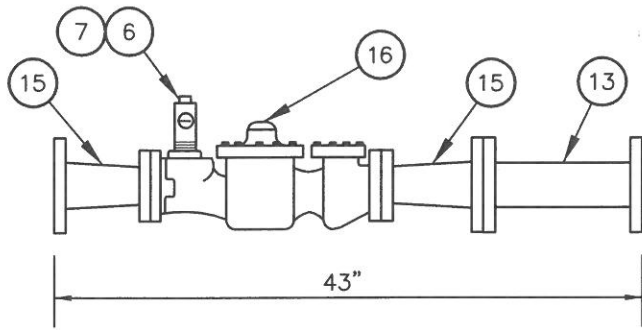


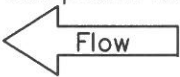
Elevation

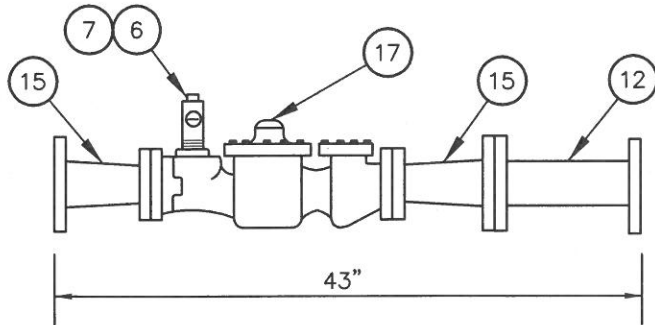



Plan View

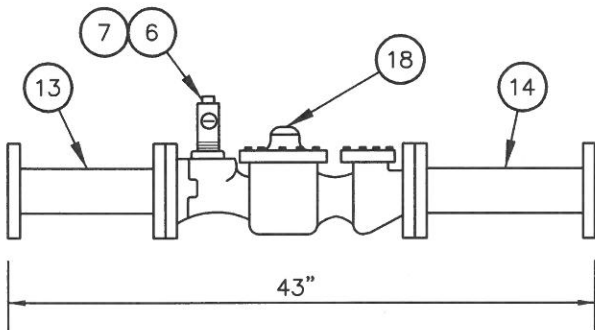
REVISED DATE _____ _____ _____ _____	CITY OF NORCO PUBLIC WORKS DEPARTMENT – WATER UTILITY	DRAWN <u>SJN</u> DATE <u>112-17-116</u>
	3" AND LARGER METER INSTALLATION	
	APPROVED <u>[Signature]</u> DIRECTOR OF PUBLIC WORKS	DATE <u>12/6/12</u>

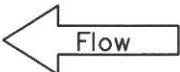


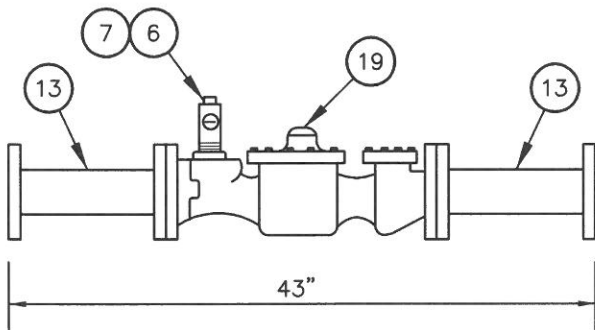
3" Compound Meter




3" Turbo Meter





4" Compound Meter




4" Turbo Meter


See Sheet 3 for construction notes.

REVISED DATE _____ _____ _____ _____	CITY OF NORCO PUBLIC WORKS DEPARTMENT – WATER UTILITY	DRAWN <u>SJN</u> DATE <u>12-6-16</u>
	3" AND LARGER METER INSTALLATION	STD. NO. 415
	APPROVED  DATE <u>12/6/16</u> DIRECTOR OF PUBLIC WORKS	2 of 3

List of Materials

Item	Descriptions	
1	4" – 90° D.I. Elbow, FLG. X M.J.	
2	Restraint device per Section 4-04.	
3	4" D.I.P. Spool, Class 53, FLG. (order to size)	
4	4" Compact D.I. TEE, FLG.	
5	2" X 9" O.D. Reducing flange.	
6	2" Brass ball valve, M-IPT X F-IPT 2" Brass ball valve, M-IPT X F-IPT, Ford B81-777WR, Jones J-1900W and Mueller B-20200-3 F-IPT x F-IPT.	
7	2" Brass plug, IPT.	
8	4" Resilient-seated gate valve, non-rising stem, FLG with hand wheel. See Section 4-08.02 of these Specifications for approved gate valves and other requirements.	
9	Adjustable pipe saddle support, bolted to the concrete pad.	
10	4" Reduced pressure principle backflow assembly. See Section 3 of these Specifications.	
11	4" – 90° Compact D.I. Elbow, FLG.	
12	4" X 8"L D.I.P. Spool, Class 53, FLG.	
13	4" X 10"L D.I.P. Spool, Class 53, FLG.	
14	4" X 13"L D.I.P. Spool, Class 53, FLG.	
15	4" X 3" X 8"L D.I. concentric reducer, FLG.	
16	3" Compound meter (see Section 4-12).	Meter type to be determined and provided by the City
17	3" Turbo meter (see Section 4-12).	
18	4" Compound meter (see Section 4-12).	
19	4" Turbo meter (see Section 4-12).	
20	1/8" Full face cloth inserted rubber flange gasket.	
21	Concrete pad, Class 520-C-2500 (light broom finish), 2% slope towards sidewalk.	

Notes:

1. All steel bolts and nuts to have electrodeposited coating of zinc.
2. See Section 5-10 of these specifications for painting requirements.
3. Large meter assemblies installed in easements, roads and streets without curbs or with rolled curbs shall be protected by guard posts as shown on plans or as directed by Engineer per Standard Drawing 431.
4. Location of the large meter/backflow device assembly, and all parts must be approved by Engineer prior to installation. Failure to comply may result in project delays to correct all unacceptable/unapproved work. A wye strainer or hose bibb are not allowed to be installed on backflow assembly piping.
5. Spool lengths are approximate to achieve overall length requirement of 43".
6. All service connections above 4" in size shall be reviewed by the Public Works Department for approval.

REVISED	CITY OF NORCO	DRAWN <u>SJN</u>
DATE _____	PUBLIC WORKS DEPARTMENT – WATER UTILITY	DATE <u>12-6-16</u>
_____	3" AND LARGER METER INSTALLATION	STD. NO.
_____	APPROVED	415
_____	DIRECTOR OF PUBLIC WORKS	DATE <u>12/6/16</u>
_____		3 of 3