

CITY OF NORCO  
2870 Clark Avenue  
Norco, CA 92860

DATE: September 29, 2019

ADDENDUM NO. 1

**CRESTVIEW DRIVE STORM DRAIN IMPROVEMENT PROJECT**

The plans and specifications for the above referenced project are hereby amended as follows:

**PLANS:**

No Change

**SPECIFICATIONS:**

1. Omit Bid Item 13e

**BID DATE:**

No change.

**REQUEST FOR INFORMATION:**

1. *Will the rocks in Exhibit A be encroaching in our work area? If so, are we to move them?*

**Response:** Any surface rocks that need to be moved due to conflict with trenching operations shall be removed and placed to the east side of the trench. This additional work shall be included within the unit bid price for the proposed RCP storm drain pipe.

2. *Bid Items 13b & 13e are the same. Is this correct?*

**Response:** Bid Items 13b & 13e are the same. Contractor can omit Bid Item 13e.

3. *Please provide a detail for the pull boxes.*

**Response:** Contractor to utilize Caltrans Std. ES-8B for replacement of pull box. (Standard Attached)



---

Sam Nelson  
Senior Civil Engineer

---

**ADDENDUM ACKNOWLEDGEMENT**

I hereby acknowledge receipt of Addendum No. 1 and my bid reflects the requirements of the addendum.

---

Name

---

Contractor

---

Title

POST MILES	ROUTE	TOTAL PROJECT	SHEET NO.	TOTAL SHEETS

REGISTERED ELECTRICAL ENGINEER  
**M.R.F.**  
 PROFESSIONAL ENGINEERING NO. 40000  
 STATE OF CALIFORNIA  
 License No. E15636  
 Expires 12-31-19

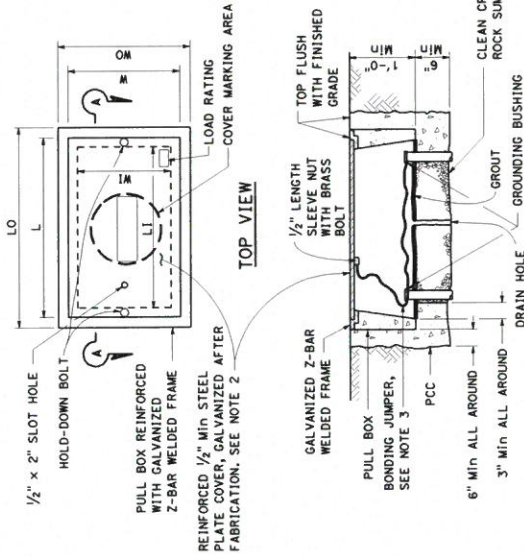
APPROVED  
 REGISTERED PROFESSIONAL ENGINEER  
 License No. E15636  
 Expires 12-31-19

PLANS APPROVAL DATE  
 MAY 31, 2018

DESIGNED BY  
 CHECKED BY  
 IN CHARGE OF CONSTRUCTION  
 THE ACCEPTANCE OF COMPLETENESS OF SCHEMED  
 DETAILS OF THIS PLAN SHEET

**NOTES:**

1. Traffic pull box shall be provided with steel cover and special concrete footing. Steel cover shall have embossed non-skid pattern.
2. Steel reinforcing shall be as regularly used in the standard products of the respective manufacturer.
3. Bonding jumper for metal covers shall be 3' long, minimum.
4. The nominal dimensions of the opening in which the cover sets shall be the same as the cover dimensions except the length and width dimensions shall be 1/8" greater.
5. Covers and boxes shall be interchangeable with California standard male and female gages. When interchanged with a standard male or female gage, the top surfaces shall be flush within 1/8".



SECTION A-A  
 No. 3(1/2(T), No. 5(T) AND  
 No. 6(T) TRAFFIC PULL BOX

PULL BOX	PULL BOX					COVER		
	MINIMUM THICKNESS	MINIMUM DEPTH, BOX AND EXTENSION	LO	LI	WO	WI	L **	W **
No. 3(1/2(T)	1 1/2"	1'-0"	1'-10" - 1'-11"	1'-5" - 1'-6 1/2"	1'-3" - 1'-4"	10" - 1'-0"	1'-8" - 1'-9 1/2"	1'-1" - 1'-2"
No. 5(T)	1 3/4"	1'-0"	2'-5" - 2'-6"	2'-0" - 2'-1"	1'-6" - 1'-7"	1'-1" - 1'-2"	2'-3" - 2'-3 1/2"	1'-4" - 1'-4 1/2"
No. 6(T)	2"	1'-0"	2'-11" - 3'-1"	2'-6" - 2'-7"	1'-10" - 2'-0"	1'-5" - 1'-6"	2'-9" - 2'-9 1/2"	1'-8" - 1'-8 1/2"

\* EXCLUDING CONDUIT WEB \*\* TOP DIMENSION

ES-8B

STATE OF CALIFORNIA  
 DEPARTMENT OF TRANSPORTATION  
**ELECTRICAL SYSTEMS  
 (TRAFFIC PULL BOX)**  
 NO SCALE

Return to Table of Contents